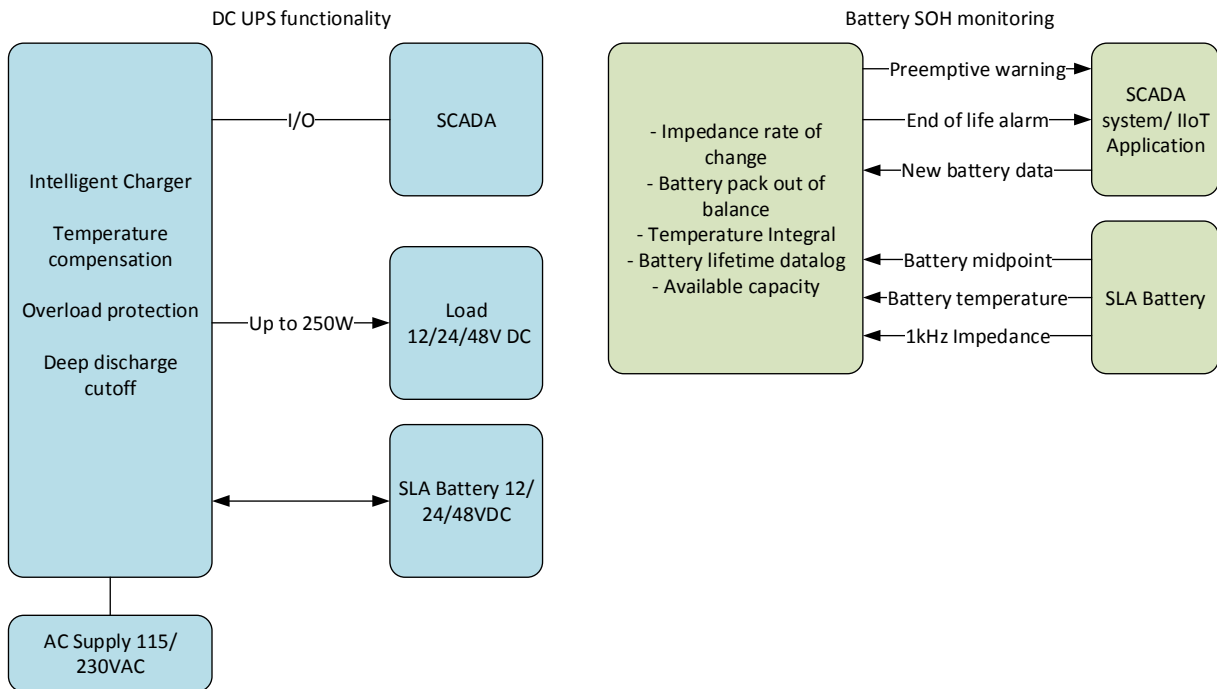


# ADC8000 SERIES

*Battery charger and DC UPS 12/24/48 DC*



- 24VDC systems, 12 and 48VDC optional • For Building-in installations • Dedicated battery and load terminals • Continuous SLA battery impedance monitoring for State-Of-Health estimate
- RS-485 Modbus RTU interface for commissioning and remote control • 2 digital outputs for remote alarms, 1 digital input • Optional Modbus TCP over Ethernet
- Temperature compensation • Deep discharge prevention • Combined output current up to 12A, transients up to 50A •



### INPUT

Input voltage range	115/230 VAC
Frequency	45...65Hz
Efficiency ( $U_{in} = 230$ VAC, 100% load)	82% - 90%
Safety	EN 60950 Class 1
EMC	EN 55022 class A
Inrush-current	Limited by NTC-resistor
Overtages	Protected by 72J VDR-resistor
Input fuse	T3A12 or T6A3
Approvals	CE-marking

### OUTPUT

	12 V	24 V	48 V
Float Charging voltage (at 20°C)	13.65 V	27,3 V	54,6 V
Output adjustment (software controlled)	8...15 V	16...30 V	32...60 V
Output power		up to 300W	
Current limit, charger/ battery	up to 24 A/ 24 A	up to 12 A/ 12 A	up to 6 A/6A

### BATTERY BACK-UP

	12 V	24 V	48 V
Battery capacity	up to 24Ah	up to 24Ah	
Battery types		Sealed Lead Acid battery	
Temperature compensation for battery		NTC-resistor 10k	

### INDICATIONS AND DIGITAL IO

Charger OK	Green LED is on
Relay 1 (configurable functionality)	Potential free open and closing relay contacts; Relay 24VDC/0.3A or 30VAC/0.5A
Relay 2 (configurable functionality)	Potential free open and closing relay contacts; Relay 24VDC/0.3A or 30VAC/0.5A
Digital input (configurable functionality)	Potential free optocoupler input; 24VDC
RS-485 serial port	Isolated 2-wire half duplex, external biasing and termination.
Ethernet (Option)	Ethernet interface with Modbus TCP bridge

### MECHANICS

Dimensions	Variable with power level
Mounting	DIN rail with supplied clips
Weight	Variable with power level
Color	Black with white markings. other colours available
Enclosure	Steel/ aluminium case IP21

### ENVIRONMENTAL

Operation temperature	-40°C...+70 °C, charger power de-rated above +55 °C Battery specific temperature limits adjustable from commissioning application
Humidity	95% RH IEC68-2-30
Ventilation	Natural convection

### CONNECTORS

X1 Mains	2.5mm <sup>2</sup> 3-pole screw terminal
X2 DC power	2.5 mm <sup>2</sup> 7-pole screw terminal
X3 Digital IO	2.5 mm <sup>2</sup> 6-pole screw terminal
X4 Serial bus	2.5 mm <sup>2</sup> 3-pole screw terminal
X4 Ethernet (Optional)	RJ45 with status indicators.

### UI Options

Display	Alphanumeric LCD display
Buttons	Keypads for local control