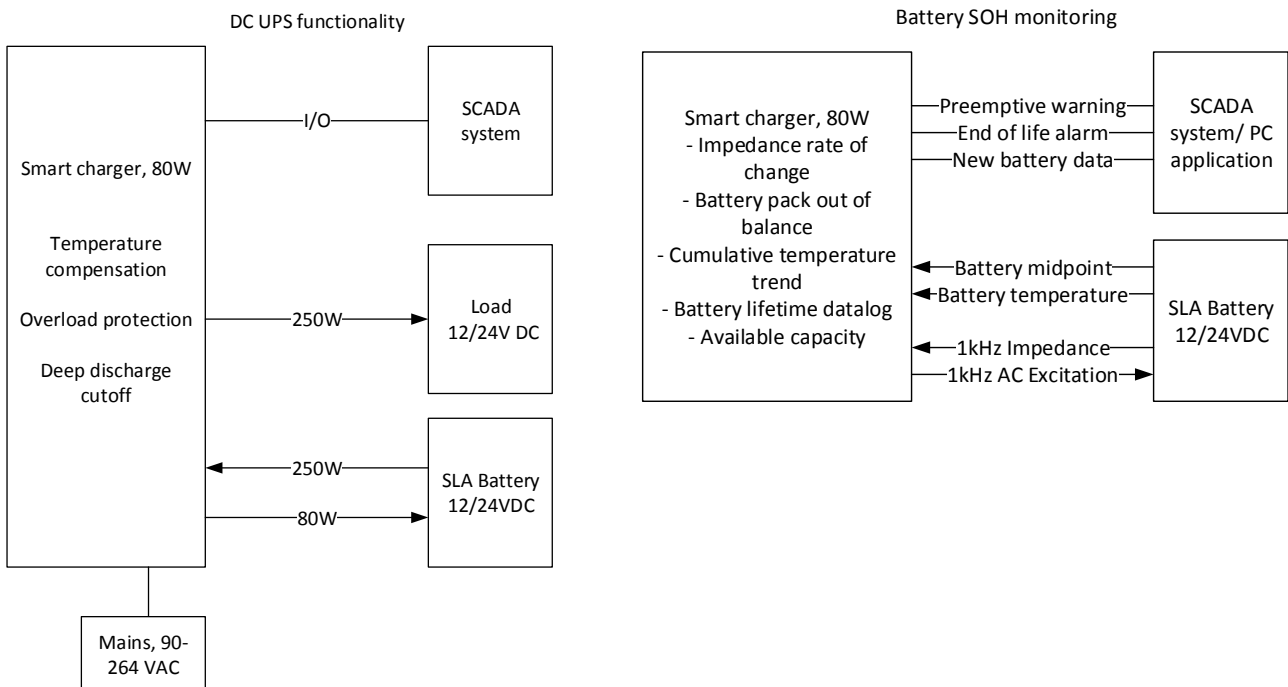


ADC8580

Battery charger and DC UPS 24 DC



- 24VDC systems, • For Building-in installations • Dedicated battery and load terminals • Continuous SLA battery impedance monitoring for State-Of-Health estimate
- RS-485 Modbus interface for commissioning and remote control • 2 digital outputs for remote alarms, 1 digital input •
- Temperature compensation • Deep discharge prevention • Combined output current up to 12A, transients up to 50A • Deep discharge prevention • PC tool for remote monitoring, commissioning and firmware updates •



INPUT

Input voltage range	90...264 VAC
Frequency	45...65Hz
Efficiency ($U_{in} = 230$ VAC, 100% load)	82% - 85%
Safety	EN 60950 Class 1
Isolation:	input / ground input / output output / ground
EMC	EN 55022 class A
Inrush-current	Limited by NTC-resistor
Overvoltages	Protected by 72J VDR-resistor
Input fuse	T3A12
Approvals	CE-marking

OUTPUT	24 V
Float Charging voltage (at 20°C)	27,3 V
Output adjustment (software controlled)	16...30 V
Ripple voltage ($f = 20\text{Hz}...300\text{kHz}$, $T_{amb} = 25^\circ\text{C}$)	$\leq 60\text{mV}_{\text{rms}}$
Load regulation ($I_{out} = 10...100\%$)	$\pm 0.5 \%$
Line regulation ($U_{in\text{min}}...U_{in\text{max}}$)	$\pm 0.1 \%$
Output current at float charging voltage	2.9 A
Current limit, charger/ battery	3.4 A/ 12 A

BATTERY BACK-UP	24 V
Battery capacity	up to 24Ah
Battery types	Sealed Lead Acid battery
Temperature compensation for battery	NTC-resistor 10k NTC-resistor 10k

INDICATIONS AND DIGITAL IO	
Charger OK	Green LED is on
Relay 1 (configurable functionality)	Potential free open and closing relay contacts; Relay 24VDC/0.3A or 30VAC/0.5A
Relay 2 (configurable functionality)	Potential free open and closing relay contacts; Relay 24VDC/0.3A or 30VAC/0.5A
Digital input (configurable functionality)	Potential free optocoupler input; 24VDC
RS-485 serial port	Isolated 2-wire half duplex, external biasing and termination.

MECHANICS	
Dimensions	66 x 148 x 113 [W x H x D mm]
Mounting	DIN rail with supplied clips
Weight	660g
Color	Black with white markings
Enclosure	Steel/ aluminium case IP21

ENVIRONMENTAL	
Operation temperature	-40°C...+70 °C, charger power derated above +55 °C Battery specific temperature limits adjustable from commissioning application
Humidity	95% RH IEC68-2-30
Ventilation	Natural convection

CONNECTORS	
X1 Mains	2.5mm ² 3-pole screw terminal
X2 DC power	2.5 mm ² 7-pole screw terminal
X3 Digital IO	2.5 mm ² 6-pole screw terminal
X4 Serial bus	2.5 mm ² 3-pole screw terminal
	Temperature sensor (400mm) included in package